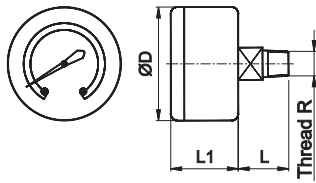


AIR PREPARATION UNITS - ACCESSORIES

Accessories - Pressure Gauge

Cat No APA - 02 - C

PRESSURE GAUGE



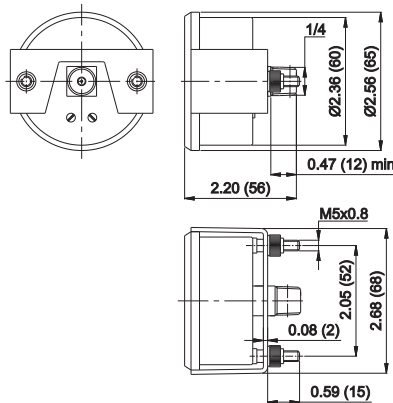
Thread R	Pressure range in psi (bar)	Adoptable to Model series		ØD	L	L1	Ordering No.
NPT1/8 (R1/8)	0 - 57 (0 - 4)	R13, R14, R15, FRC13, FRC14, FRC15	Inch	1.654	0.748	0.984	A2G04 (A2G01)
	0 - 140 (0 - 10)					A2G05 (A2G02)	
	0 - 232 (0 - 16)		mm	42	19	25	A2G06 (A2G03)
NPT1/4 (R1/4)	0 - 57 (0 - 4)	R17, FRC17	Inch	1.969	0.945	1.102	A2G13 (A2G07)
	0 - 140 (0 - 10)					A2G14 (A2G08)	
	0 - 232 (0 - 16)		mm	50	24	28	A2G15 (A2G09)



How to order :- Mention the ordering number required

Example :- 1/8 Pressure Gauge for Regulator with Pressure range 0 - 140 psi : Ordering no : A2G02

PANEL MOUNTING PRESSURE GAUGE



Thread R	Pressure range in psi (bar)	Adoptable to Model series	Ordering No.
1/4	0 - 140 (0 - 10)	R17, FRC17	A2GP08



How to order :- Mention the ordering number required

Example :- 1/4 Pressure Gauge for Regulator with Pressure range 0 - 140 psi : Ordering no : A2GP08